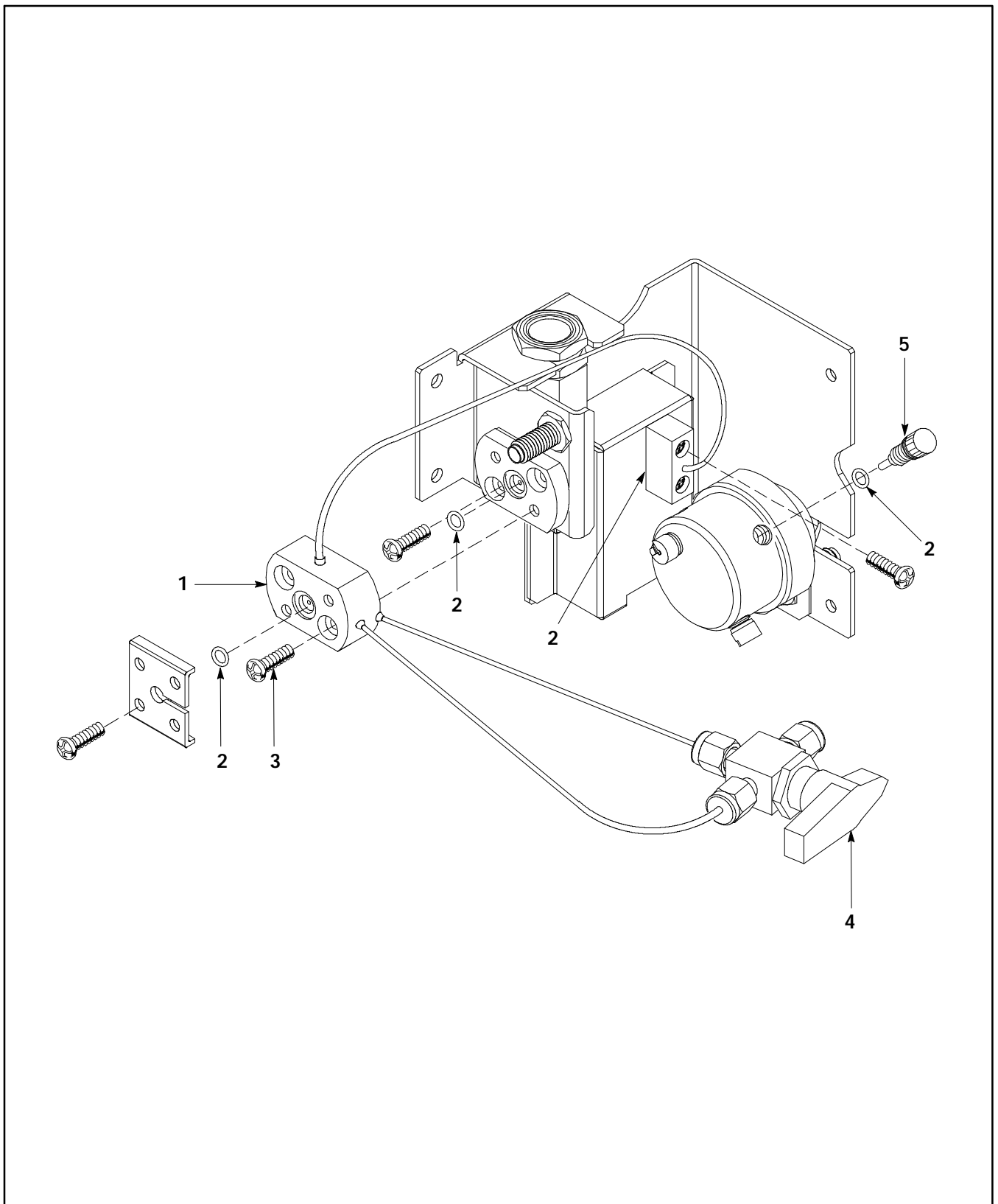


Item	Description	HP Part No.
1	External Sampler Interface (ESI)	19245-80630
2	O-ring (package of 12)	5180-4181
3	M4 x 8 Screw	0515-0910
4	3-Way Valve	0101-0653
5	HPM8 Plug	19361-20770

For other pneumatic components, see Figure 4 (PCOC) or Figure 6 (Purged Packed)

**Figure 8. Standard Configuration of the External Sampler Interface (19245H)
(Sheet 1 of 2).**



**Figure 8. Standard Configuration of the External Sampler Interface (19245H)
(Sheet 2 of 2).**

Item	Description	HP Part No.
1	OEM Adapter	19245-80630
2	O-ring	5180-4181
3	M4 x 8 Screw	0515-0910
4	1/8-in Stainless Steel Union	0100-0126
5	1/8-in Stainless Steel Fitting Plug	0100-0071
6	3-Way Valve	0101-0653
7	HPM8 Plug	19361-20770

For other pneumatic components, see Figure 4 (PCOC) or Figure 6 (Purged Packed)

**Figure 9. Modified Configuration of the External Sampler Interface (19245H)
(Sheet 1 of 2).**